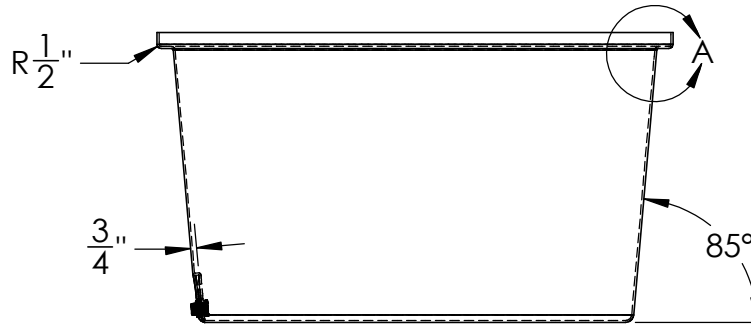
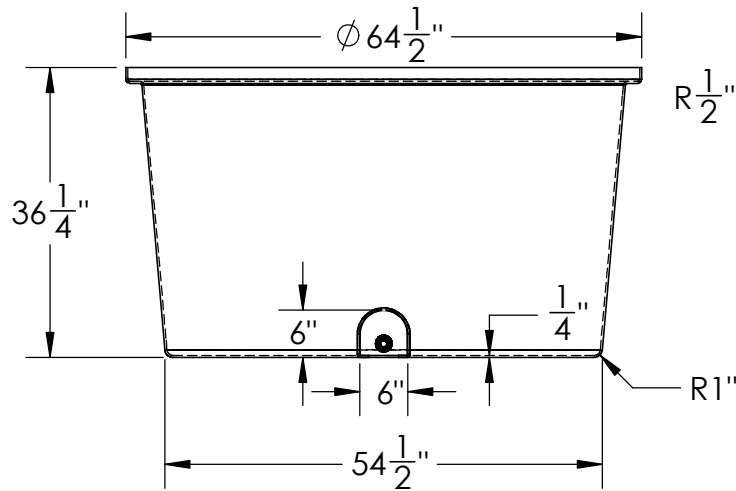
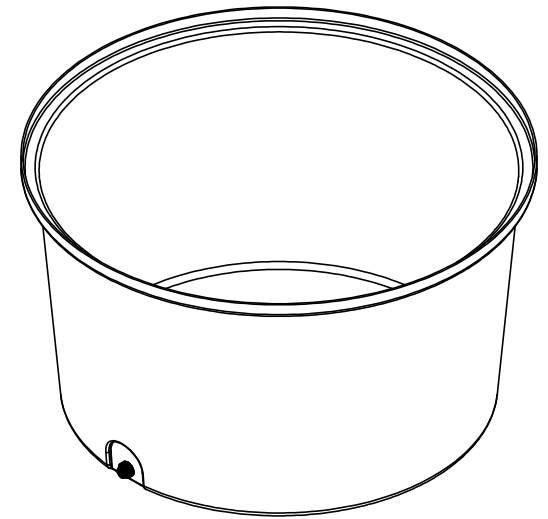


DETAIL A



350 Gallon Round Secondary Containment / Stock Tank with Drain



1390 Neubrecht Road
Lima, Ohio 45801

STOCK NO.
18960, 18961, 18962,
18963, 19064

REV
A

DO NOT SCALE DRAWING

WEIGHT: 78 lbs.

DIMENSIONS ARE IN INCHES
TOLERANCE: ± 1/4"

MATERIAL
LLDPE - FDA resin

CAPACITY
350 US gal.

GRADUATIONS
N/A

NOMINAL WALL THICKNESS
1/4"

	NAME	DATE
DRAWN	NJV	7/12/23
APPROVED		

COMMENTS:
Natural, Yellow, Blue,
Black, Forest Green
UV Stabilized

PROPRIETARY AND CONFIDENTIAL

THE INFORMATION CONTAINED IN THIS DRAWING IS THE SOLE PROPERTY OF TAMCO. ANY REPRODUCTION IN PART OR AS A WHOLE WITHOUT THE WRITTEN PERMISSION OF TAMCO IS PROHIBITED.

MAX. OPERATING TEMP. 140°F
INTERMITTENT SERVICE TO 160°F
SEE CHEMICAL RESISTANCE
CHART FOR COMPATIBILITY